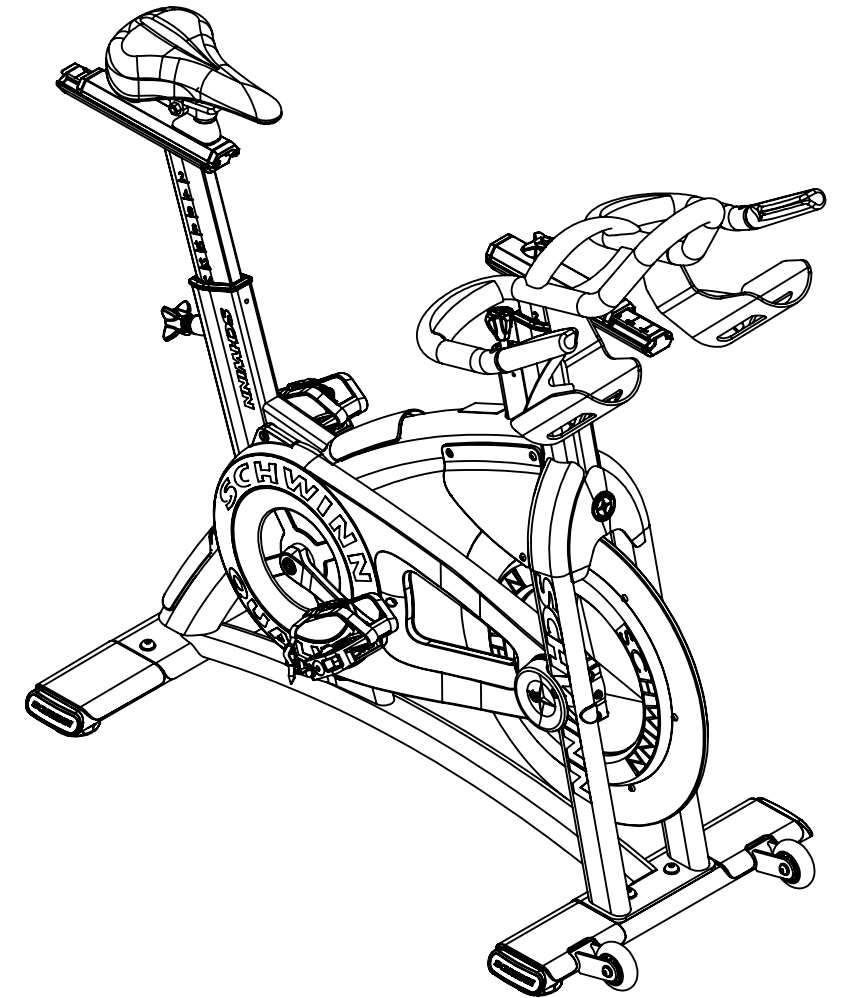
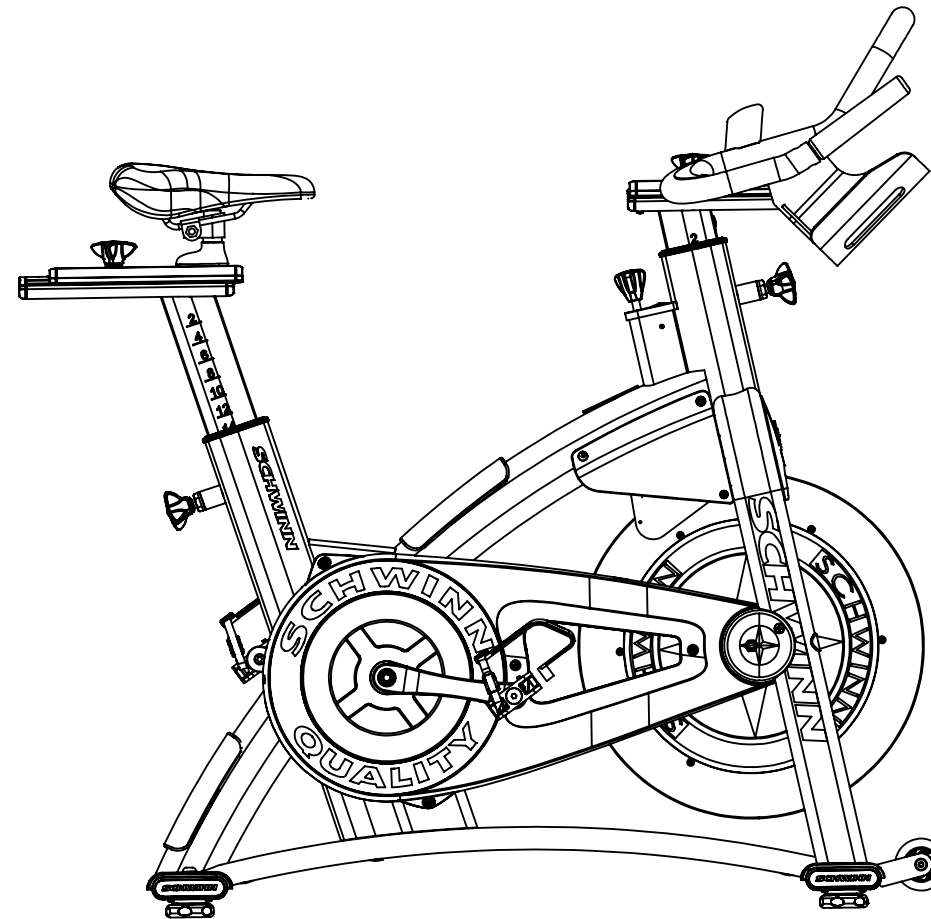
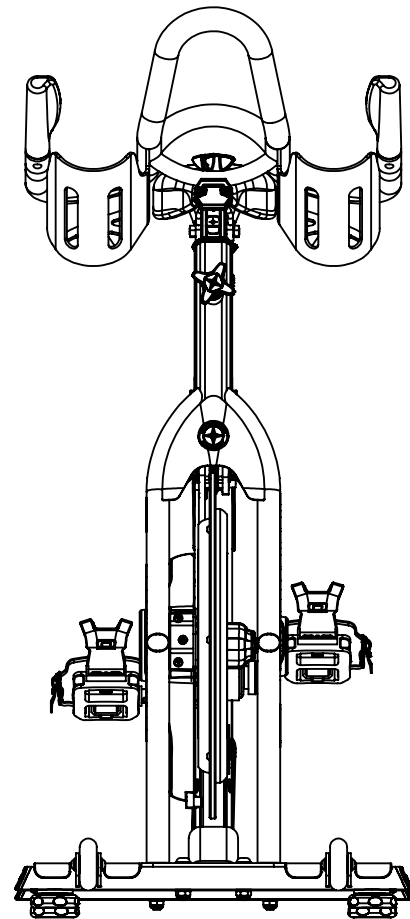
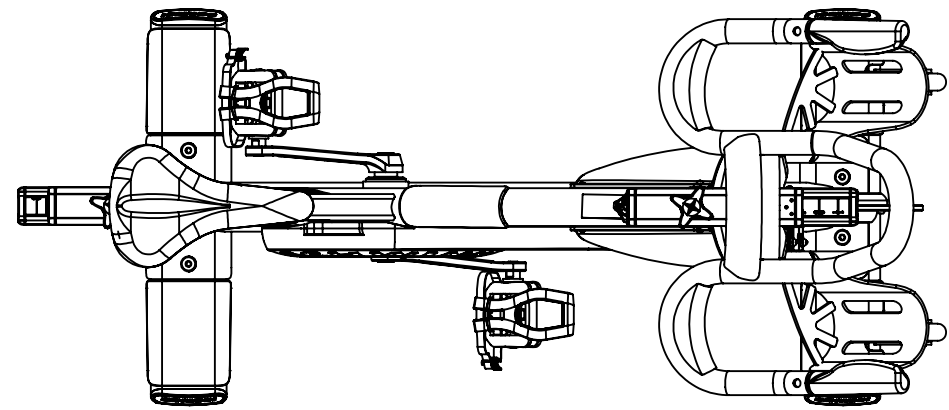


REVISION HISTORY				
REV	DATE	DESCRIPTION	ECO	BY
A	11/14/2012	PRODUCTION RELEASE		ATV
B	1/16/2013	GLASS FILLED POM SEAT & HANDLEBAR SLEEVES		ATV
C	5/7/2014	REMOVE 000-0037 (OUTER GUARD), 000-0123(INNER GUARD), 002-2787(SLEEVE SPRING CLIP), ADD 050-1955 (WARNING LABEL), 120-3346 (POP PIN WASHER), 120-3347(SLIDER KNOB WASHER), 740-8701 (OUTER GUARD),740-8702 (INNER GUARD), 000-0198 (HANDLEBAR PLUG)	14666	OT
D	9/18/2014	REMOVE 000-0119	14685	OT



DOCUMENT STATUS:

NOTICE OF PROPRIETARY INFORMATION
THIS DOCUMENT SHALL NOT BE REPRODUCED NOR SHALL THE INFORMATION CONTAINED HEREIN BE USED BY OR DISCLOSED TO OTHER EXCEPT AS EXPRESSLY AUTHORIZED BY CORE HEALTH & FITNESS, LLC.

CLASS OF WORK	UNLESS OTHERWISE SPECIFIED DIMS ARE IN mm. TOLERANCES FOR MEASURE OF LENGTH ARE:								ANGLES = ±2°
	0.5 to 3	> 3 to 6	> 6 to 30	> 30 to 120	> 120 to 400	> 400 to 1000	> 1000 to 2000	> 2000	
FINE	±0.05	±0.05	±0.1	±0.15	±0.2	±0.3	±0.5	----	
MEDIUM X	±0.1	±0.1	±0.2	±0.3	±0.5	±0.8	±1.2	±2	
COARSE	±0.2	±0.3	±0.5	±0.8	±1.2	±2	±3	±4	
VERY COARSE	----	±0.5	±1	±1.5	±2.5	±4	±6	±8	

MATERIAL
SEE BOM

FINISH
N/A

VENDOR:

P/N:

THIRD ANGLE PROJECTION



DRAWN	INITIAL OT	DATE 7/25/2013
CHECKED		
APPROVED		

CORE HEALTH & FITNESS, LLC
4400 NE 77th Ave., Suite 300
Vancouver, WA 98662

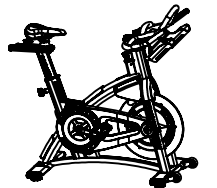
CORE PART NO: **000-0044** REV: **D**

TITLE: **ASSY, BIKE, ACPP CHAIN**

SCALE: 1:50 | SHEET 1 OF 7 | SHEET SIZE: B

ITEM NO.	PART NUMBER	DESCRIPTION	QTY.
1	000-0085	SEAT ASSEMBLY	1
2	000-0096	SCHWINN QUALITY BADGE, 40 MM	1
3	000-0097	SCHWINN QUALITY BADGE, 65 MM	1
4	000-0098	BRAKE ADJMENT HOUSING ASSY	1
5	000-0099	SCREW, PHP, M5x0.8x25, SS	3
6	000-0100	COVER, RIGHT DROP OUT	1
7	000-0102	CHAIN TENSION BLOCK	2
8	000-0106	SCREW, M6x1.0x60, HHM, SS	2
9	000-0115	COVER, CHAIN TENSIONER LEFT	1
10	000-0120	STICKER, SERIAL NUMBER, ACPV2	1
11	000-0124	BRAKE ADJUSTMENT CAP	1
12	000-0132	FLYWHEEL, ACPV2	1
13	000-0149	SCREW, M5X0.8 X 12, TRUSS HEAD, SS	2
14	000-0150	HANDLEBAR ASSY, SAC	1
15	000-0178	FINGERGUARD, 72T, ACPV2	1
16	001-0055	STABILIZER, FRONT, ALUMINUM, WDMT	1
17	PAD LEFT: 000-0163	PAD RIGHT: 000-0141	2
18	001-0688	ASSEMBLY, TRANSPORT WHEEL	2
19	740-7097	BOLT, WHEEL, NXT	2
20	740-7187	SCREW, M6X1.25X10, BHC, HE, SS	2
21	902-6065	WSH-FLAT M8 REGULAR SS	4
22	000-0136	END CAP, STABILIZER	2
23	000-0137	SCREW, PHT, M4 X 10,SS	4
24	740-7656	FEET, LEVELING, SPINNER	4
25	001-0535	THREADED BRAKE ADJUSTMENT NUT	1
26	001-0540	LINK, BRAKE ADJUSTMENT SIDE	2
27	001-0541	BRONZE BUSHING, BRAKE ADJUSTMENT LINK	4
28	001-0750	ASSEMBLY, BRAKE CARRIAGE	1
29	003-5551	FORK DECAL (PERFORMANCE)	1
30	003-8569	TORSION SPRING, BRAKE	1
31	005-0016	CHAIN, 1/2" X 1/8", 122 LINKS	1
32	050-1955	LABEL, WARNING, COMM, SPINNERS	1
33	740-7604	FINGER GUARD, 16T SPROCKET	1

ITEM NO.	PART NUMBER	DESCRIPTION	QTY.
34	740-8701	ASSY,CHAINGUARD,OUTER,SAC	1
35	740-8702	SAC CHAINGUARD INNER	1
36	003-1508	ISIS BB, 68X113 MM	1
37	002-2780	LEFT CRANK ARM, ISIS	1
38	000-0011	ASSY SET, PEDAL D10	1
39	005-0018	RIGHT CRANK ARM, ASSY, 1/8"	1
40	80044	CRANK BOLT 8MM HEX FOR ISIS	2
41	902-4172	NUT NL M10-1.5 SS	4
42	902-4182	NUT HEX M10 - 1.5 SS	1
43	902-4986	SCREW, PHP, M4x0.7x10, SS	4
44	902-5050	SCW-BHCS M10x1.5x50 SS	4
45	902-5550	SCW-RHP M5x0.8x12 SS	12
46	902-5701	SCW-SHCS M10-1.5x45 SS	1
47	902-6065	WSH-FLAT M8 REGULAR SS	8
48	902-5550	SCW-RHP M5x0.8x12 SS	6
49	002-2765	SLEEVE, SEAT POST/HANDLEBAR ASSY	2
50	000-0019	FRAME, ACPV2, ASSY	1
51	000-0107	NUT, M6x1.0, SFL, SS	2
52	002-2265	POP PIN ASSEMBLY, SCHWINN	2
53	000-0036	SWEATGUARD, LEFT, ASSY	1
54	000-0035	SWEATGUARD RIGHT ASSY	1
55	000-0111	PLUG, 13.5MM	3
56	740-8691	PAD, STRETCH, ACPV2 TOP TUBE, ABS	2
57	000-0113	PLUG, TENSION BOLT, RIGHT	2
58	000-0135	PAD, RUBBER, BRAKE BUMPER, SAC	1
59	001-0731	M5 RIVNUT	10
60	000-0043	PAD, FEET PROTECTOR, WITH ADHESIVE	2
61	001-0055	STABILIZER REAR ALUMINUM WDMT	1
62	000-0136	END CAP, STABILIZER	2
63	000-0137	SCREW, PHT, M4 X 10,SS	4
64	003-5561	DECAL SCHWINN SEAT TUBE	2

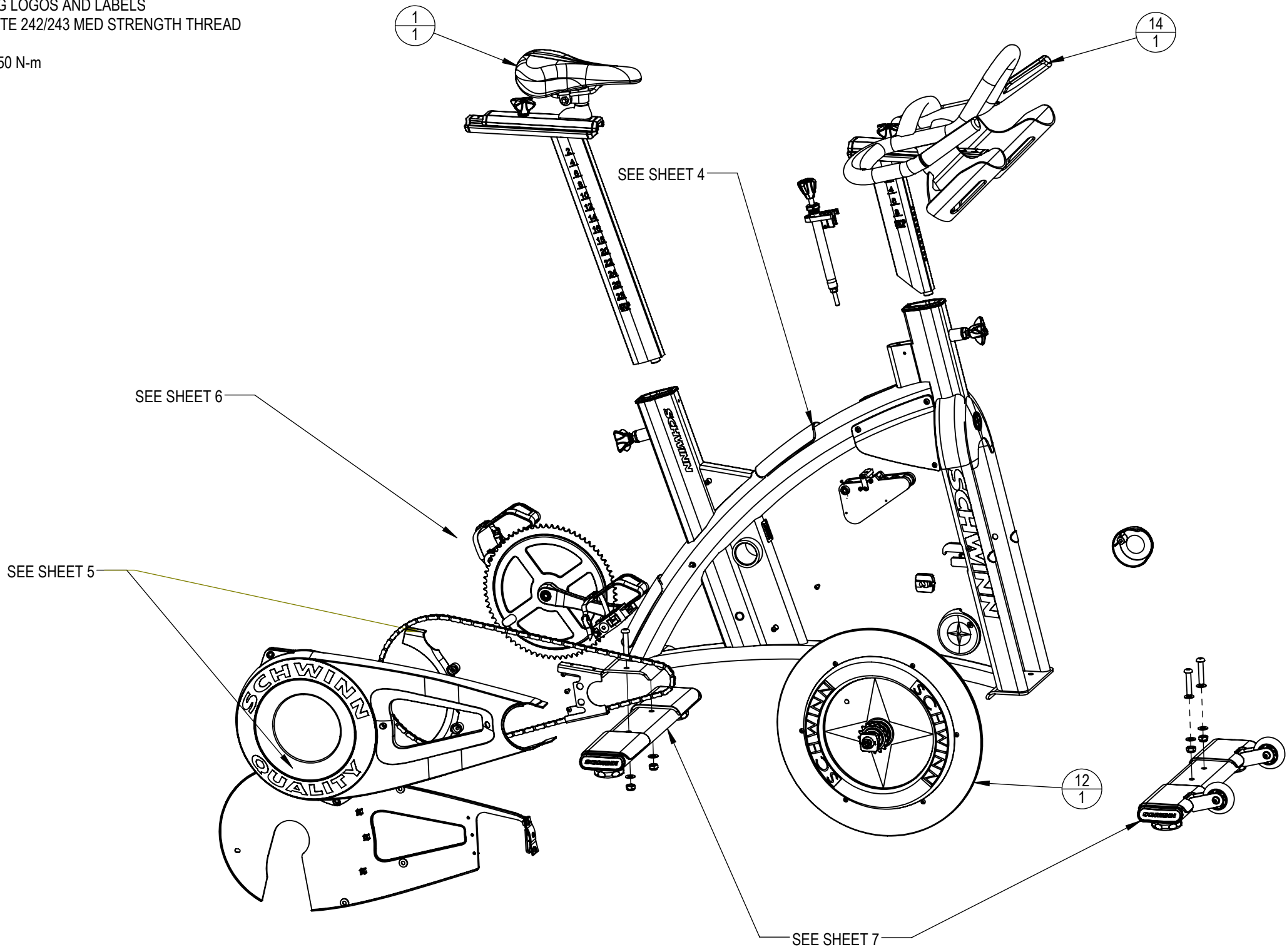


CORE HEALTH & FITNESS, LLC
 4400 NE 77th Ave., Suite 300
 Vancouver, WA 98662

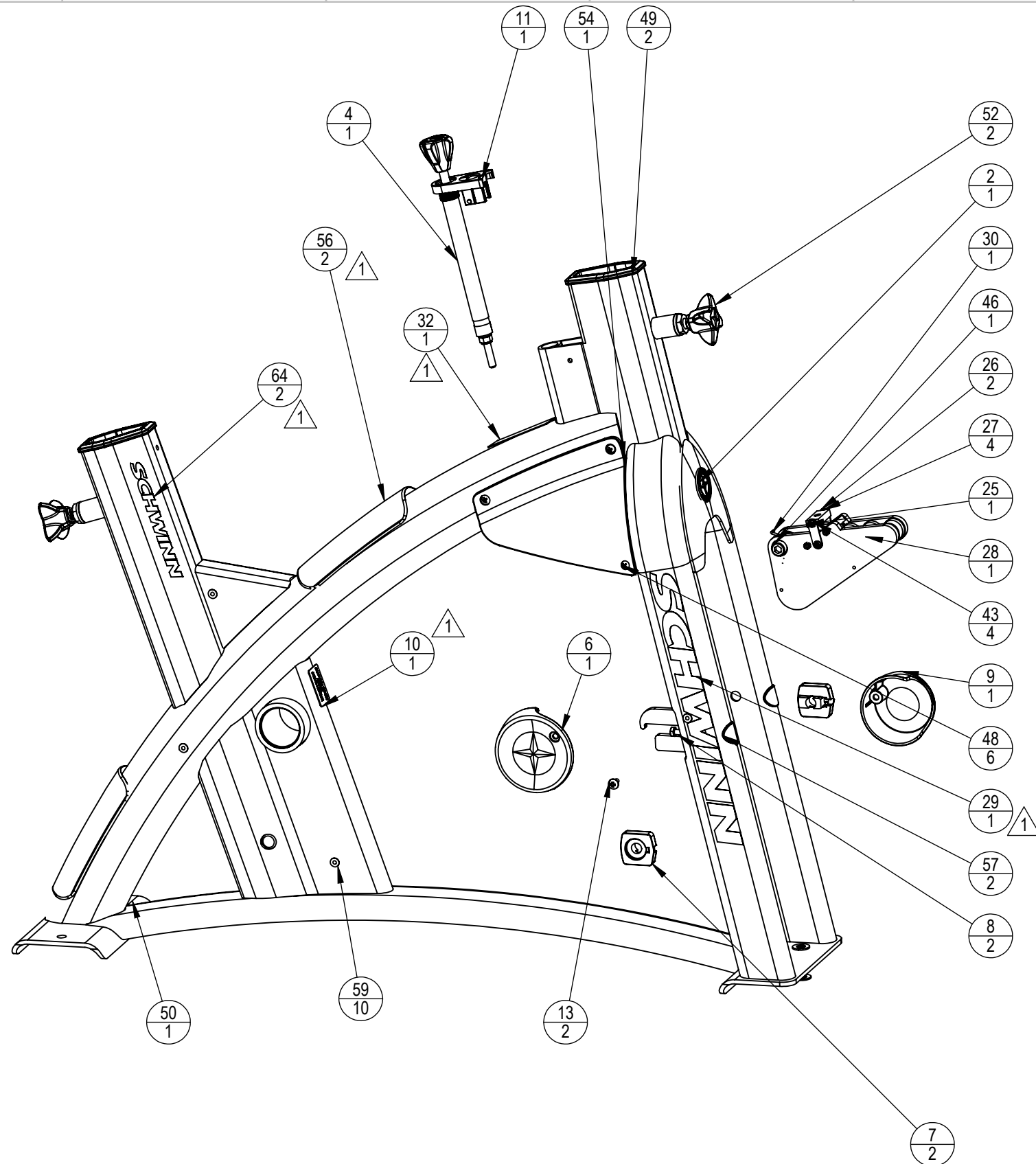
CORE PART NO	000-0044	REV	D
TITLE	ASSY, BIKE, ACPV2 CHAIN		
SCALE: 1:50	SHEET 2 OF 7	SHEET SIZE: B	

NOTES:

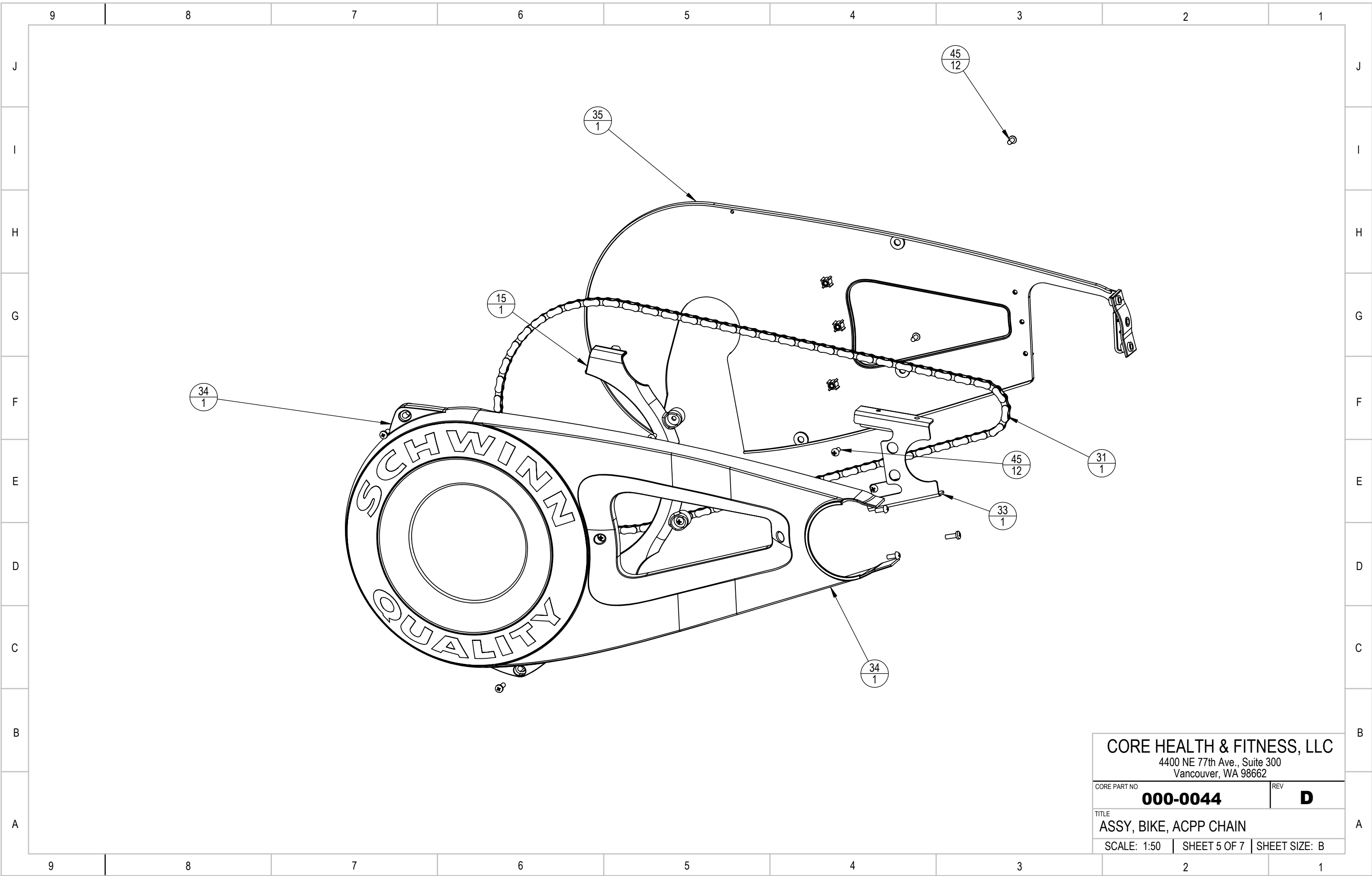
- 1. CLEAN AREAS WITH DENATURED ALCOHOL PRIOR TO ADHERING LOGOS AND LABELS
- 2. APPLY LOCTITE 242/243 MED STRENGTH THREAD LOCKER
- 3. TORQUE TO 50 N-m



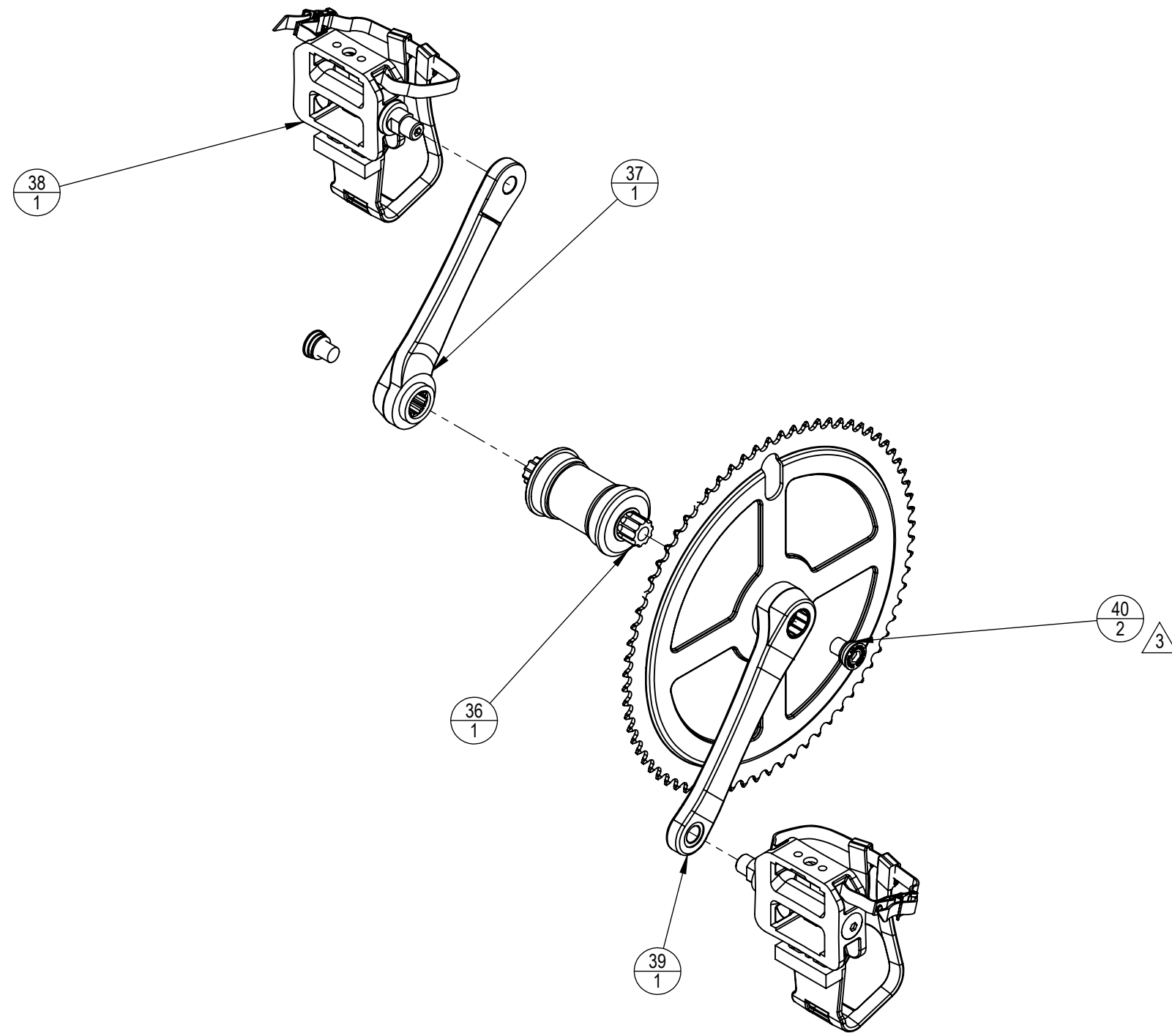
CORE HEALTH & FITNESS, LLC 4400 NE 77th Ave., Suite 300 Vancouver, WA 98662		
CORE PART NO	000-0044	REV D
TITLE ASSY, BIKE, ACPP CHAIN		
SCALE: 1:50	SHEET 3 OF 7	SHEET SIZE: B



CORE HEALTH & FITNESS, LLC 4400 NE 77th Ave., Suite 300 Vancouver, WA 98662		
CORE PART NO	000-0044	REV D
TITLE ASSY, BIKE, ACPP CHAIN		
SCALE: 1:50	SHEET 4 OF 7	SHEET SIZE: B

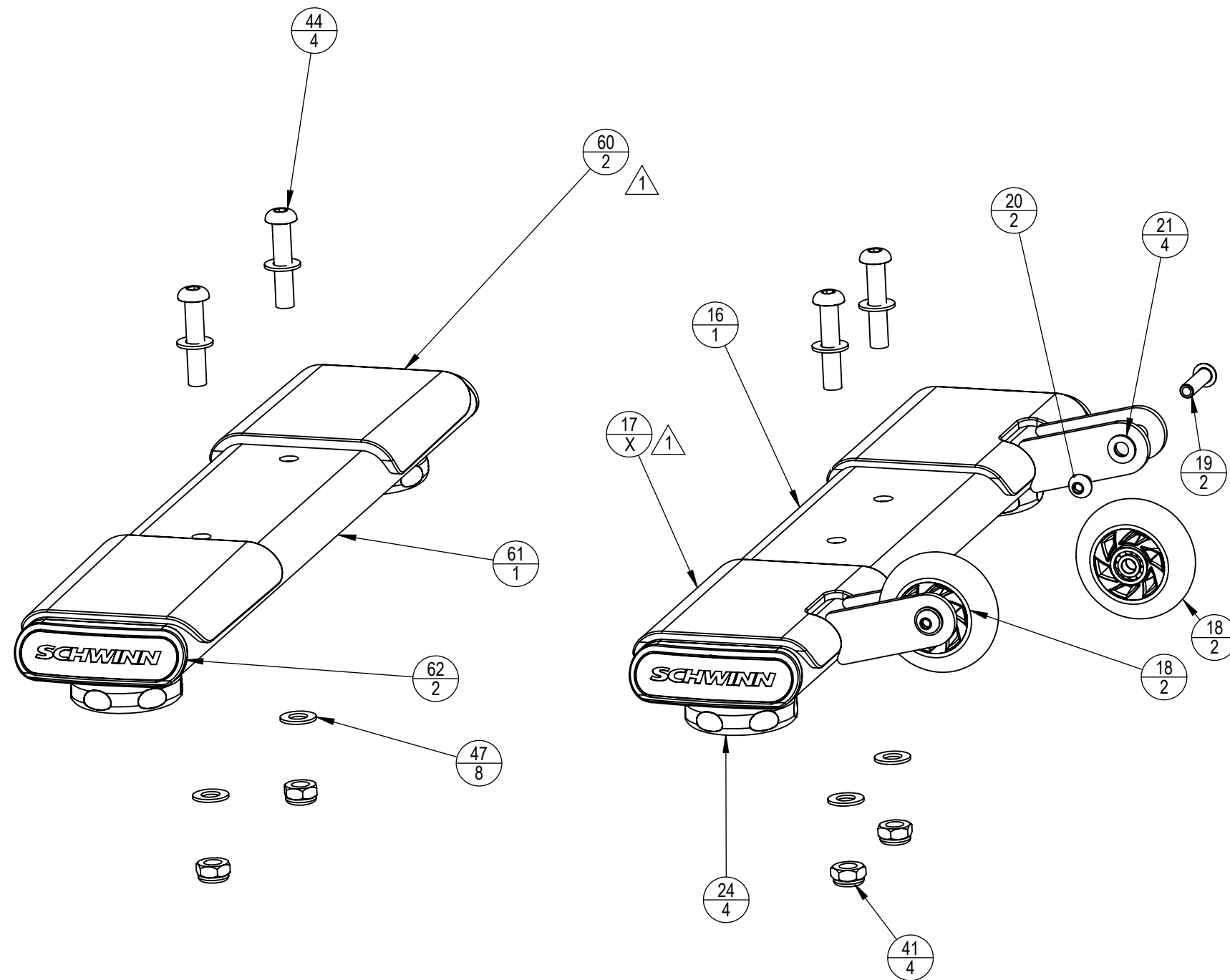


CORE HEALTH & FITNESS, LLC 4400 NE 77th Ave., Suite 300 Vancouver, WA 98662		
CORE PART NO	000-0044	REV D
TITLE ASSY, BIKE, ACPP CHAIN		
SCALE: 1:50	SHEET 5 OF 7	SHEET SIZE: B



CORE HEALTH & FITNESS, LLC
 4400 NE 77th Ave., Suite 300
 Vancouver, WA 98662

CORE PART NO	000-0166	REV	D
TITLE	ASSY,BIKE,ACPP BELT		
SCALE: 1:50	SHEET 6 OF 7	SHEET SIZE: B	



CORE HEALTH & FITNESS, LLC 4400 NE 77th Ave., Suite 300 Vancouver, WA 98662		
CORE PART NO	000-0044	REV D
TITLE ASSY, BIKE, ACPP CHAIN		
SCALE: 1:50	SHEET 7 OF 7	SHEET SIZE: B